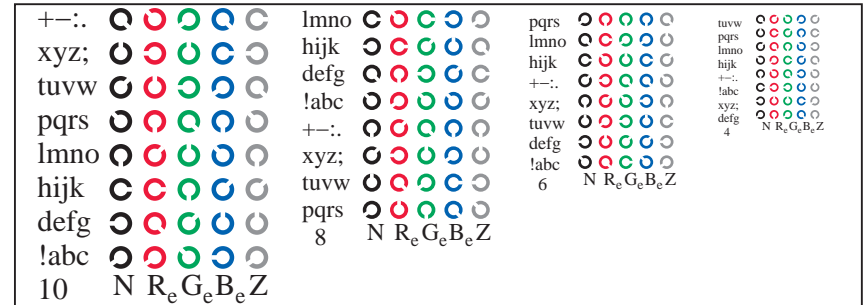
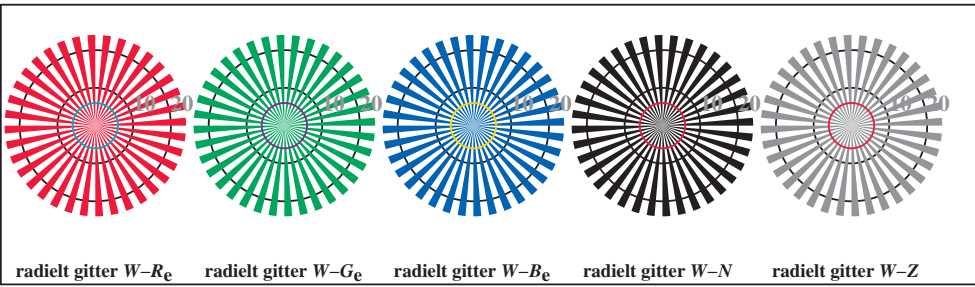


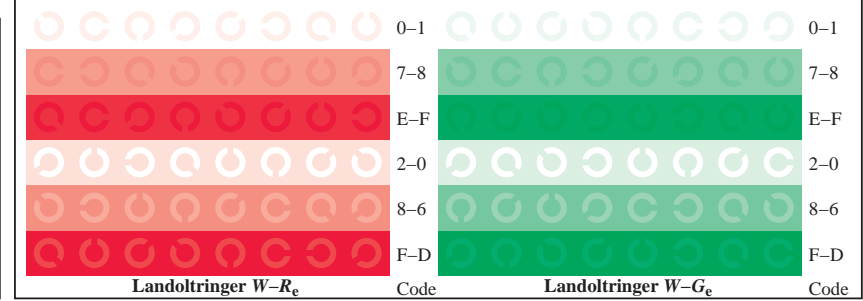
TN841-1, Figur D4We: 16 ekvidistante trinn $W-R_e$; $W-G_e$; $W-B_e$; $W-N$; $rgb/cmy0 \rightarrow rgb_e$ setrgbcolor



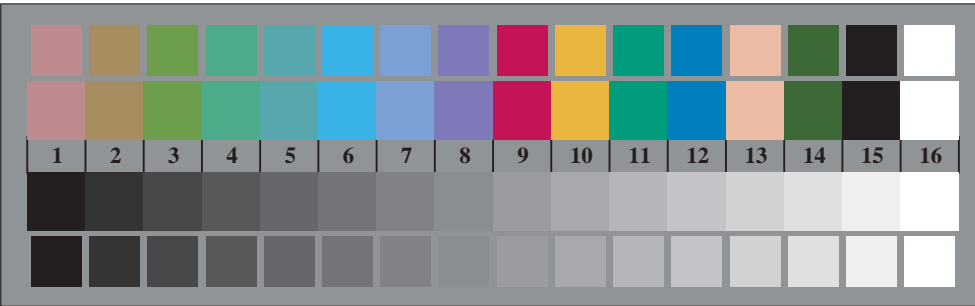
TN841-3, Figur D5We: Skrift Landoltringer N ; R_e ; G_e ; B_e ; Z ; PS operator $rgb \rightarrow rgb_e$ setrgbcolor



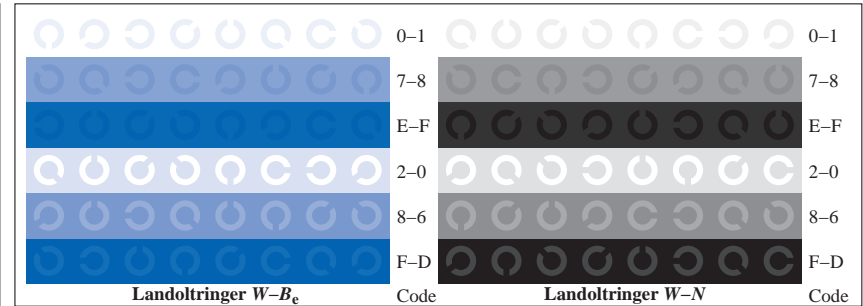
TN840-5, Figur D2We: radielt gitter $W-R_e$; $W-G_e$; $W-B_e$; $W-N$; PS operator $rgb \rightarrow rgb_e$ setrgbcolor



TN841-5, Figur D6We: Landoltringer $W-R_e$; $W-G_e$; PS operator $rgb \rightarrow rgb_e$ setrgbcolor



TN840-7, Figur D3We: 14 CIE-prøvefarger og 2 + 16 gråtrinn (sf); $rgb/cmy0 \rightarrow rgb_e$ setrgbcolor



TN841-7, Figur D7We: Landoltringer $W-B_e$; $W-N$; PS operator $rgb \rightarrow rgb_e$ setrgbcolor